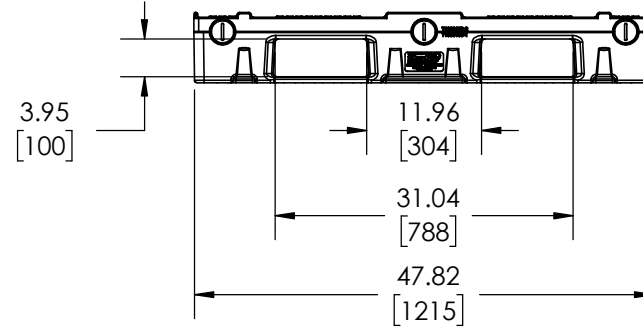


6.79 [173]
DECK HEIGHT




OVERALL DIMENSIONS

40.00" x 48.00" x 7.30"
1016mm x 1219mm x 185mm

PALLET FEATURES

- WATERTIGHT HYGIENIC CONSTRUCTION WITH OR WITHOUT STEEL REINFORCEMENT
- HYGIENIC BOTTOM DECK
- LOAD RETENTION PERIMETER LIP
- THRU-DECK HAND HOLES
- THRU-DECK DRAIN HOLES
- FORKLIFT SAFETY STRAPS
- 4-WAY FORKLIFT ENTRY
- NON-SKID TOP DECK
- STRETCH WRAP RETENTION WINGS
- CHAMFERED FORK ENTRY
- OPTIONAL CUSTOMER NAMEPLATE

**ALL DIMENSIONS ARE IN INCHES [MM], NOMINAL, & SUBJECT TO CHANGE WITHOUT NOTICE.
ALL DIMENSIONS ON MOLDED PARTS ARE SUBJECT TO A ± 3% TOLERANCE.**

DO NOT SCALE		DRAWN BY	TITLE:	REVISION
STATUS: Released		BNC	Stratis Pallet	A
© SNYDER INDUSTRIES, INC., 2019		 +1(402)467-5221 www.pallets.com www.snydermet.com	PART NO.	ENG. ID.
<small>ALL DIMENSIONS, DESIGNS, AND INFORMATION ON THIS PRINT MUST BE CONSIDERED PROPRIETARY TO SNYDER INDUSTRIES, INC. AND MAY NOT BE USED, COPIED, OR DISTRIBUTED WITHOUT WRITTEN PERMISSION OF AN OFFICER (OR HIS AGENT) OF THE FIRM.</small>			P4840LS00SANI-4S	D009812